

MUTINA

# Mistral

by Barber & Osgerby



EN

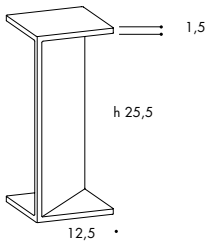
General information  
Laying and maintenance tips  
Colors  
Technical features  
Packing



# General information

The data, information and indications contained in this technical data sheet and in further documents relating to the Mistral by Barber & Osgerby product are the exclusive property by Ceramiche MUTINA S.p.a. This Technical Data Sheet provides the buyer with information relating to the use of the product useful for its correct installation and evaluation and prevention of risks arising from the normal use of the same.

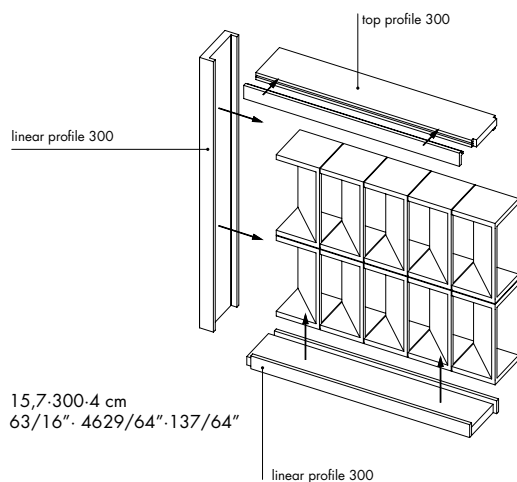
collection	Mistral
design	Barber & Osgerby, 2018
production	Artisanal
material	Tape casting terracotta
nominal sizes	12,5-25,5-12,5 cm (4"-10"-4")
specification	<ul style="list-style-type: none"> <li>- 3 colours pieces: White, Owl, Black</li> <li>- Wooden profile in 3 matching colours</li> <li>- Non structural artisanal partition elements, in tape casting terracotta, 12,5 cm thick .</li> <li>- The particular shape of Mistral allows until 8 different installation possibilities, vertical and horizontal, open and close. These elements must in any case comply with the technical standards of construction regulation, applicable in the country where they are installed. For the Italian national territory, in particular, they should comply with standard NTC 2018 DECRETO MIN 27/01.</li> <li>- The product is suitable for indoor and outdoor areas complying with UNI EN 772-22 marked "F2-extreme exposure".</li> <li>- Suitable for both residential and commercial areas, to be installed with painted willow profile with maximum surfaces of 2mt x 3mt or 3mt x 2mt. .</li> <li>- The profile is painted and suitable for outdoor use. A top profile with removable sides is provided for ceiling fixing.</li> <li>- For installation process see the installation video available on <a href="http://www.mutina.it">www.mutina.it</a></li> </ul>
complementary pieces	Linear profile 300, Top profile 300
category	-



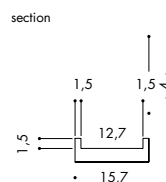
12,5-25,5-12,5 cm  
4"-10"-4"

## complementary pieces

Linear painted willow profile (also suitable for outdoor use).  
Top painted willow profile (also suitable for outdoor use) with one shaped end to make clamping easier.



15,7-300-4 cm  
63/16"-4629/64"-137/64"

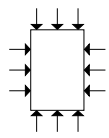


## colours

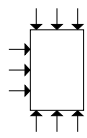


To make the installation of these items easier, a Mutina adhesive is now available: organic, eco-friendly and sold separately.

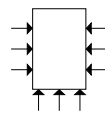
## wall anchoring scheme



Anchoring on 4 sides  
MAX h300x200 cm



Anchoring on 3 sides  
MAX h300x200 cm



Anchoring on 2 sides  
MAX h300x200 cm



Anchoring on 2 sides  
MAX h300x200 cm



Anchoring on 2 sides  
MAX h250x100 cm

↓ Fisher long shaft fixing SXR 8x80

## Laying and maintenance tips

use	Wall – indoor, outdoor.
installation	For installation process see the installation video available on <a href="http://www.mutina.it">www.mutina.it</a>
recommended adhesive	Mutina adhesive: solvents-free, eco-friendly organic adhesive
recommended joints	–
recommended fillers	–
cleaning at the end of installation	Avoid drippings during installation. If needed the excess can be removed after the product has dried using a tool with a sharp edge.
general cleaning (installed tiles)	–
calibers (real size)	12,5x25,5x12,5 cm with a tolerance of 2 mm (artisanal product)

## Colours



Black



Owl



White

## Technical features

STANDARD	FEATURES	VALUE REQUIRED	MISTRAL
UNI EN 772-16	dimensions	to declare	T2 – R2
UNI EN 772-21:2011	water absorption	to declare	1%
UNI EN 772-5:2016	content of active soluble salts	to declare	S0
UNI EN CEN/TS 772- 22:2006	freeze-thaw resistance	to declare	F2
D.M. 1401/2008	determination of horizontal variable loads	to declare	C2
LEED CERTIFICATION 4.1			5% recycled material
VOC Emission			available upon request
Declaration of Contents			available upon request
SDS			available upon request
BPD3			available upon request
HPD			available upon request

## Packing

SIZE	PCS-SQM	PCS-BOX	SQM-BOX	BOX-PAL	KG-BOX	KG-PAL	SQM-PAL
12,5-25,5-12,5 cm	31,40	3	0,091	45	6,60	297,00	4,30